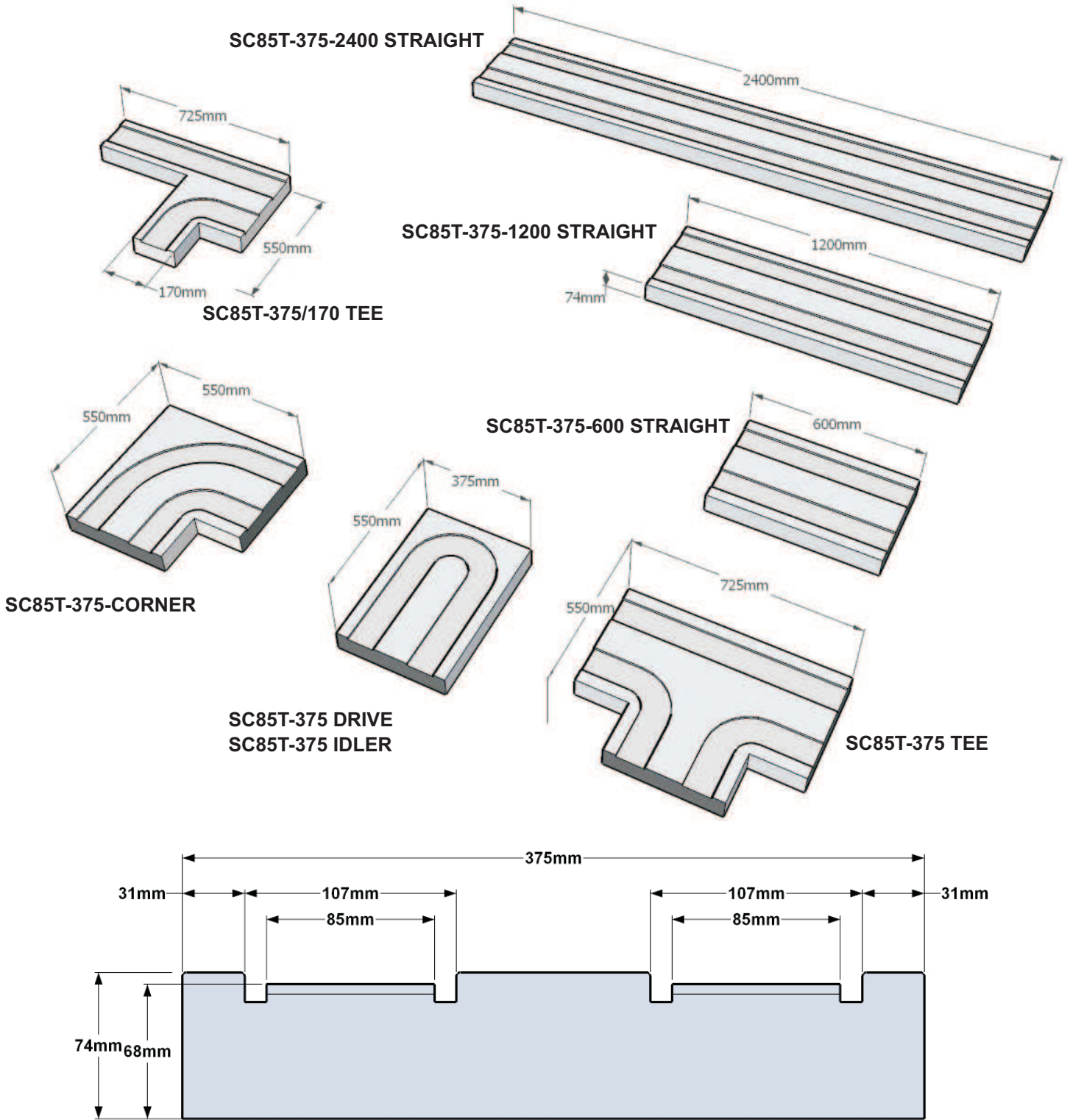


Modules

Type SC85T-375 Sushi Conveyor, 85mm Chain, twin lane, 375mm wide body.



TYPICAL SECTION